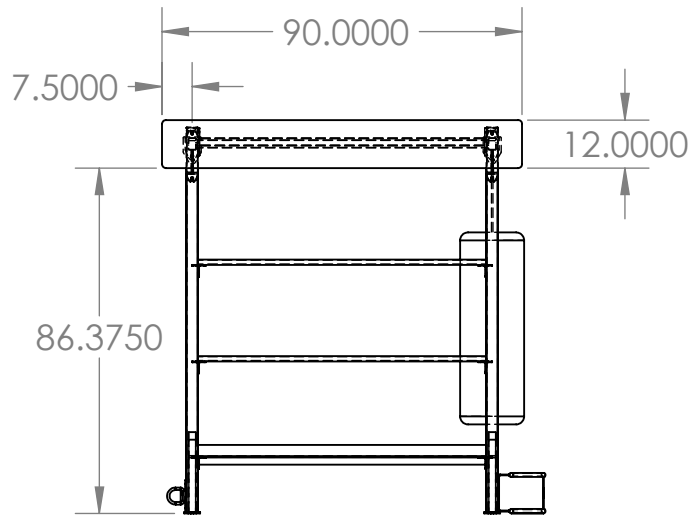


ITEM NO.	PART NUMBER	DESCRIPTION	QTY.
1	Hopper-01	Leg	2
2	Hopper-02	Heavy Bag Arm	2
3	~\$Hopper-03	Upper Cross Brace	1
4	~\$Hopper-04	TRX Bar	1
5	50470	Swivel Rope Loop	1
6	STR13-05	Roller Storage	1
7	Hopper-05	Wall Bracket	2
8	50477	Med Ball Rack	1
9	50474	KB Shelf	1
10	50473	Ball Rack	1
11	Heavy Bag		1
12	Wooden Board - Harper Rack		1



- Floor: Requires 6 bolts to secure to the floor. Bolt diameter size 0.5". Customer responsible for securing.
- Wall brace: Customer is responsible for supplying and installing brace prior to PMX arrival. Customer responsible for securing.
- Wall brace: Requires 6 bolts to secure to the floor. Bolt diameter size 0.5". Customer responsible for securing.

UNLESS OTHERWISE SPECIFIED:

DIMENSIONS ARE IN INCHES
 TOLERANCES:
 FRACTIONAL:
 ANGULAR: MACH ± BEND ±
 TWO PLACE DECIMAL ±
 THREE PLACE DECIMAL ±

INTERPRET GEOMETRIC TOLERANCING PER:
 MATERIAL

FINISH
 DO NOT SCALE DRAWING

	NAME	DATE	DXF No.
DRAWN			
CHECKED			
ENG APPR.			
MFG APPR.			

PROPRIETARY AND CONFIDENTIAL
 THE INFORMATION CONTAINED IN THIS DRAWING IS THE SOLE PROPERTY OF ANY REPRODUCTION IN PART OR AS A WHOLE WITHOUT THE WRITTEN PERMISSION OF IS PROHIBITED.

Part Description:		SIZE	Part No.	REV
		A	STR-405	
SCALE: 1:48 WEIGHT:		SHEET 1 OF 1		